

4

3

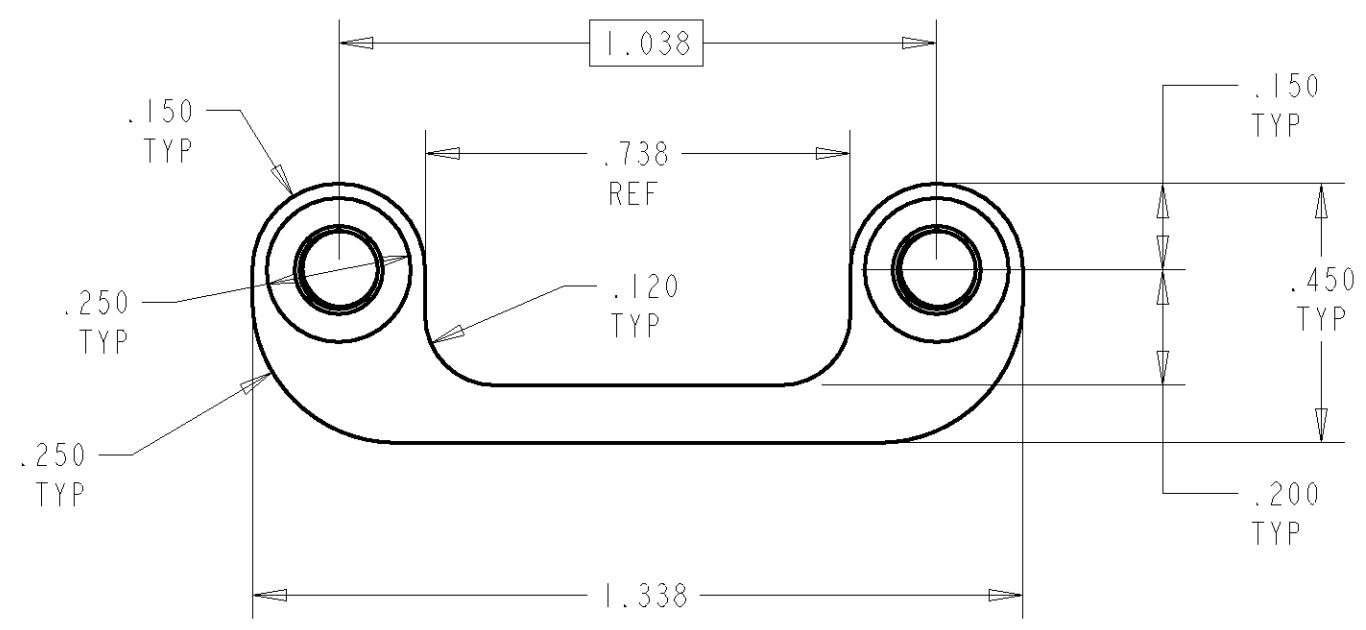
2

1

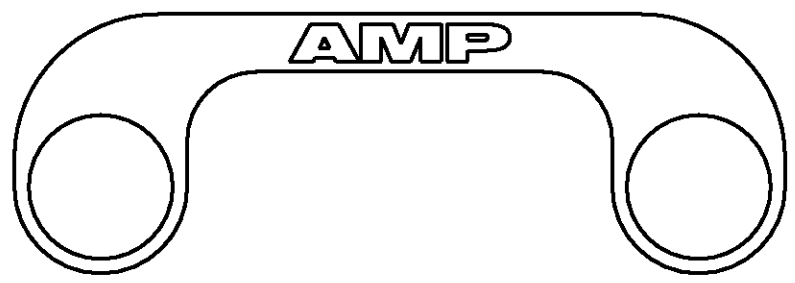
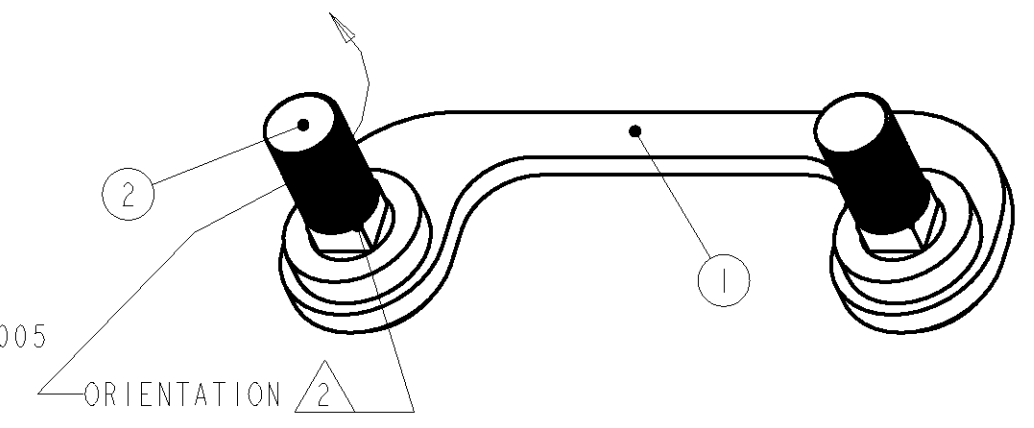
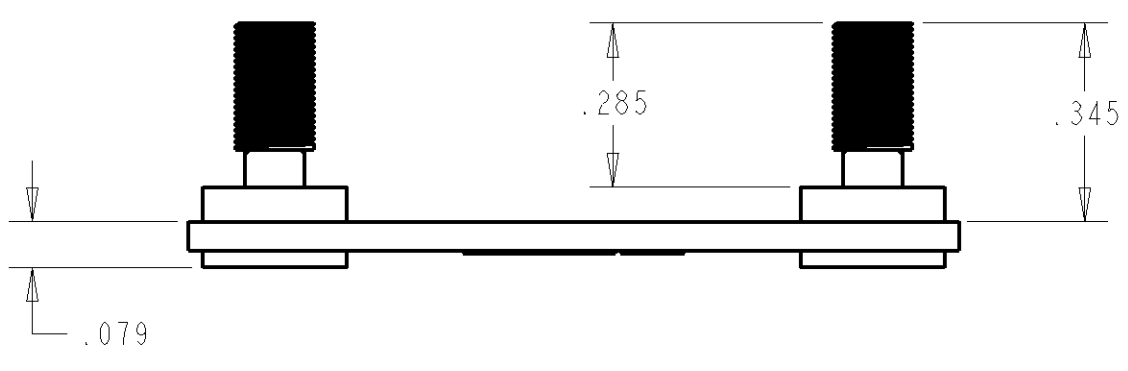
THIS DRAWING IS UNPUBLISHED. RELEASED FOR PUBLICATION .19 .

© COPYRIGHT 19 BY AMP INCORPORATED. ALL RIGHTS RESERVED.

LOC	DIST	REVISIONS			
P	LTR	DESCRIPTION	DATE	DWN	APVD
AD	12	0	RELEASED	30OCT97	MKI JS



- ① MATERIAL: BRIDGE; NYLON, COLOR; BLACK. STUD; BRASS-COPPER ALLOY.
- ② STUDS MAY BE RANDOMLY ORIENTED IN BRIDGE CAVITIES.



145313-1	145314-1	145312-1
② 6-32 STUD QTY 2	① BRIDGE QTY 1	PART NUMBER

<small>THIS DRAWING IS A CONTROLLED DOCUMENT FOR AMP INCORPORATED. IT IS SUBJECT TO CHANGE AND THE CONTROLLING ENGINEERING ORGANIZATION SHOULD BE CONTACTED FOR THE LATEST REVISION.</small>		DWN <b>JAMES P. SCHOLZ</b> 22APR97 CHK - APVD - PRODUCT SPEC - APPLICATION SPEC - WEIGHT -	<b>AMP</b> AMP Incorporated Harrisburg, PA 17105-3608 NAME <b>BRIDGE ASSEMBLY RETENTION MODULE</b> SIZE A3 CAGE CODE 00779 DRAWING NO. 145312 RESTRICTED TO -
DIMENSIONS: INCHES 	TOLERANCES UNLESS OTHERWISE SPECIFIED: 0 PLC ±- 1 PLC ±- 2 PLC ±- 3 PLC ±.010 4 PLC ±- ANGLES ±-	MATERIAL 	FINISH - CUSTOMER DRAWING SCALE 3:1 SHEET 1 OF 1 REV 0